

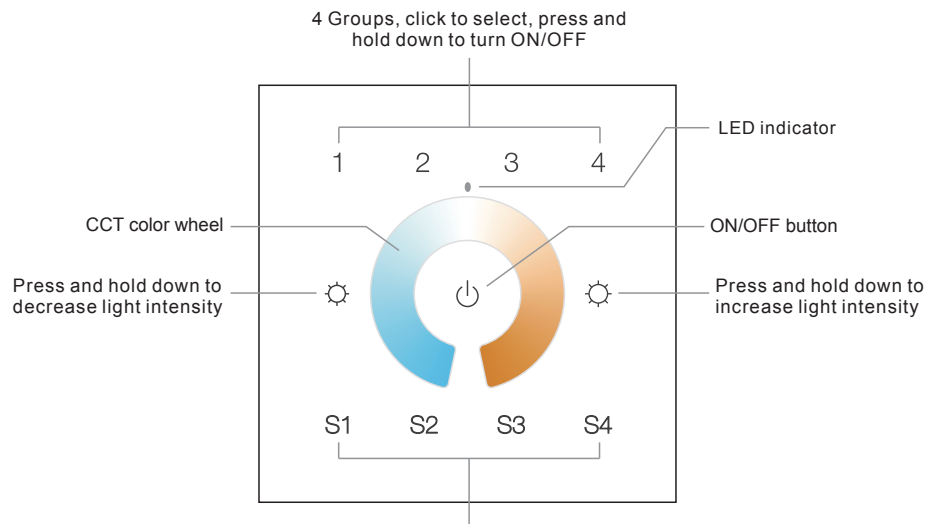
# DT8 DALI Dual Color Touch Controller

v.1.0



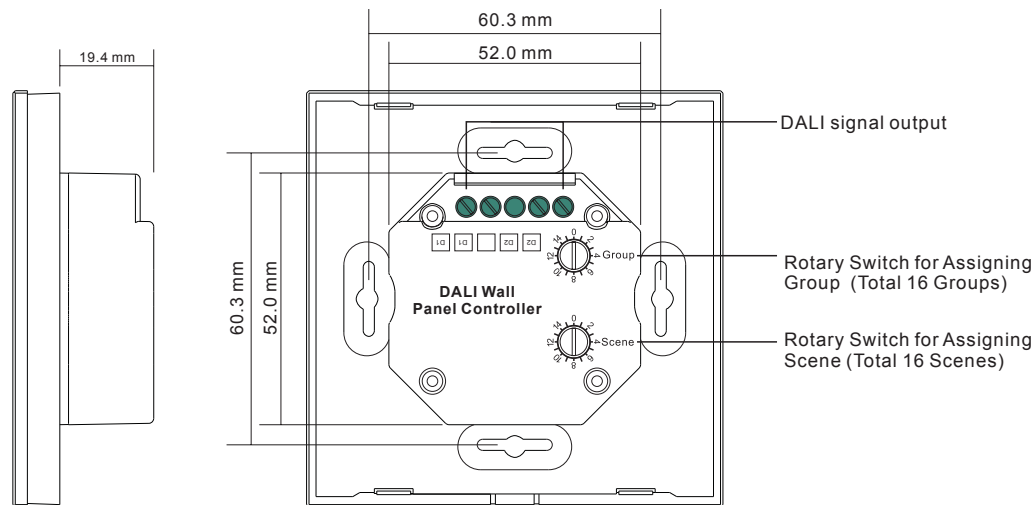
**Important: Read All Instructions Prior to Installation**

## Function introduction



Scene button, press and hold down to save a scene, click to recall, the saved scene will cover the predefined one

Front side



Back side

## Product Data

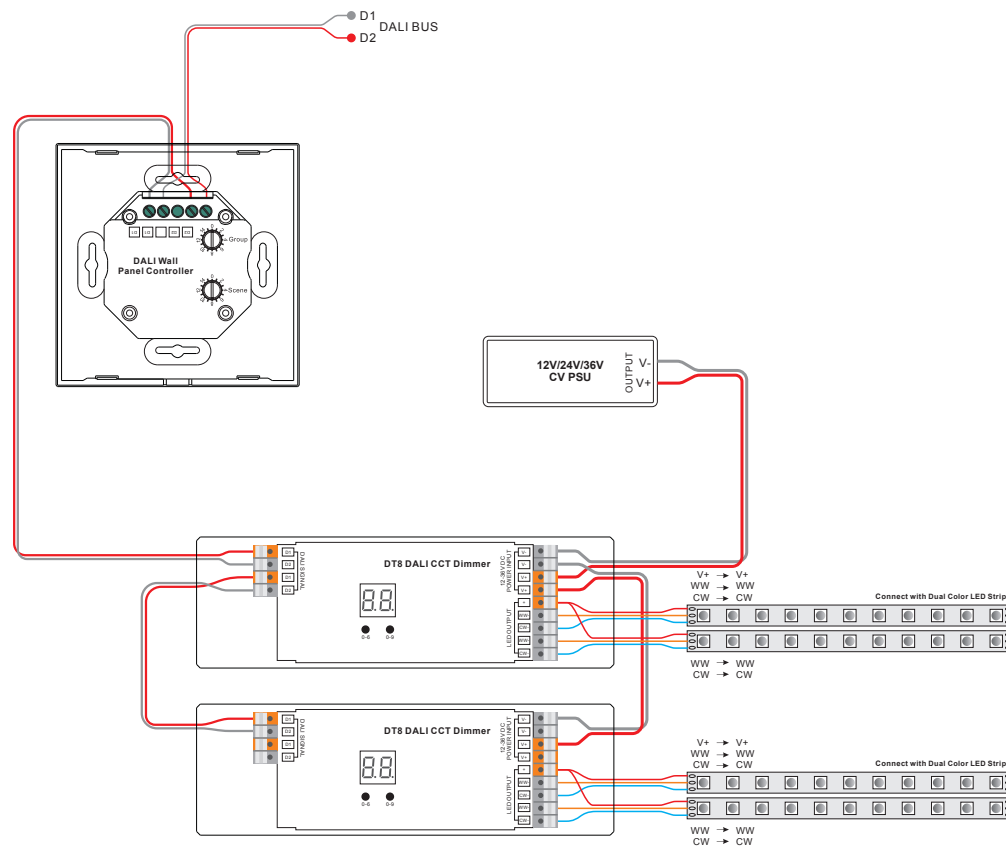
Output	DALI signal
Power Supply	Supply By DALI Bus
Operation Current	4mA
Operating temperature	0-40°C
Relative humidity	8% to 80%
Dimensions	86x86x29.1mm
Waterproof grade	Ip20

- Touch sensitive.
- Glass interface (white & black).
- Comply to DALI standard protocol IEC 62386-102, IEC 62386-207, IEC 62386-209 and in compliance with DALI products from other international incorporation
- Enable to control 4 DALI Group and 4 DALI Scenes.
- Enable to set start DALI group number (0-15) and scene number (0-15) by rotary switches on the back.
- Support DT8 devices
- Color temperature adjustment according to DALI specifications of Device Type 8, Color Type Tc.
- Each DT8 device is controlled via a single DALI address

## Safety & Warnings

- DO NOT install with power applied to device.
- DO NOT expose the device to moisture.

## Wiring diagram



## Operation

### 1. Set starting Group number via rotary switch on the back: (0-15 selectable)

- This DALI touch panel controller enables dimming commands and DT8 commands to be sent to 3 Groups of devices on the DALI circuit. A rotary switch on the back is used to select Groups you would like to control and set the starting Group number, and total 16 Groups (0-15) can be selected.
- When the rotary switch arrow position is at 0, button 1 controls 16 Groups of devices through broadcast, button 2 controls Group 0, button 3 controls Group 1, and button 4 controls Group 2.
- When the rotary switch arrow position is at X except 0 (1-15), button 1 controls Group X-1 of devices, button 2 controls Group X, button 3 controls Group X+1, and button 4 controls Group X+2.

Please refer to the detailed Group setting table as follows:

Rotary Switch Position	0	1	2	3	4	5	6	7	8	9	10	11	12	13	14	15
DALI Group for button 1	Broadcast	0	1	2	3	4	5	6	7	8	9	10	11	12	13	14
DALI Group for button 2	0	1	2	3	4	5	6	7	8	9	10	11	12	13	14	15
DALI Group for button 3	1	2	3	4	5	6	7	8	9	10	11	12	13	14	15	0
DALI Group for button 4	2	3	4	5	6	7	8	9	10	11	12	13	14	15	0	1

### 2. Set starting Scene number via rotary switch on the back: (0-15 selectable)

- This DALI touch panel controller enables Scene selection commands for up to 4 Scenes to be sent to the DALI circuit. A rotary switch on the back is used to select Scenes you would like to control and set the starting scene number, and total 16 Scenes (0-15) can be selected.
- When the rotary switch arrow position is at X (0-15), Scene button S1 controls Scene X, S2 controls Scene X+1, S3 controls Scene X+2, and S4 controls Scene X+3.

Please refer to the detailed Scene setting table as follows:

Rotary Switch Position	0	1	2	3	4	5	6	7	8	9	10	11	12	13	14	15
Scene assigned to S1	0	1	2	3	4	5	6	7	8	9	10	11	12	13	14	15
Scene assigned to S2	1	2	3	4	5	6	7	8	9	10	11	12	13	14	15	0
Scene assigned to S3	2	3	4	5	6	7	8	9	10	11	12	13	14	15	0	1
Scene assigned to S4	3	4	5	6	7	8	9	10	11	12	13	14	15	0	1	2

## Installation

